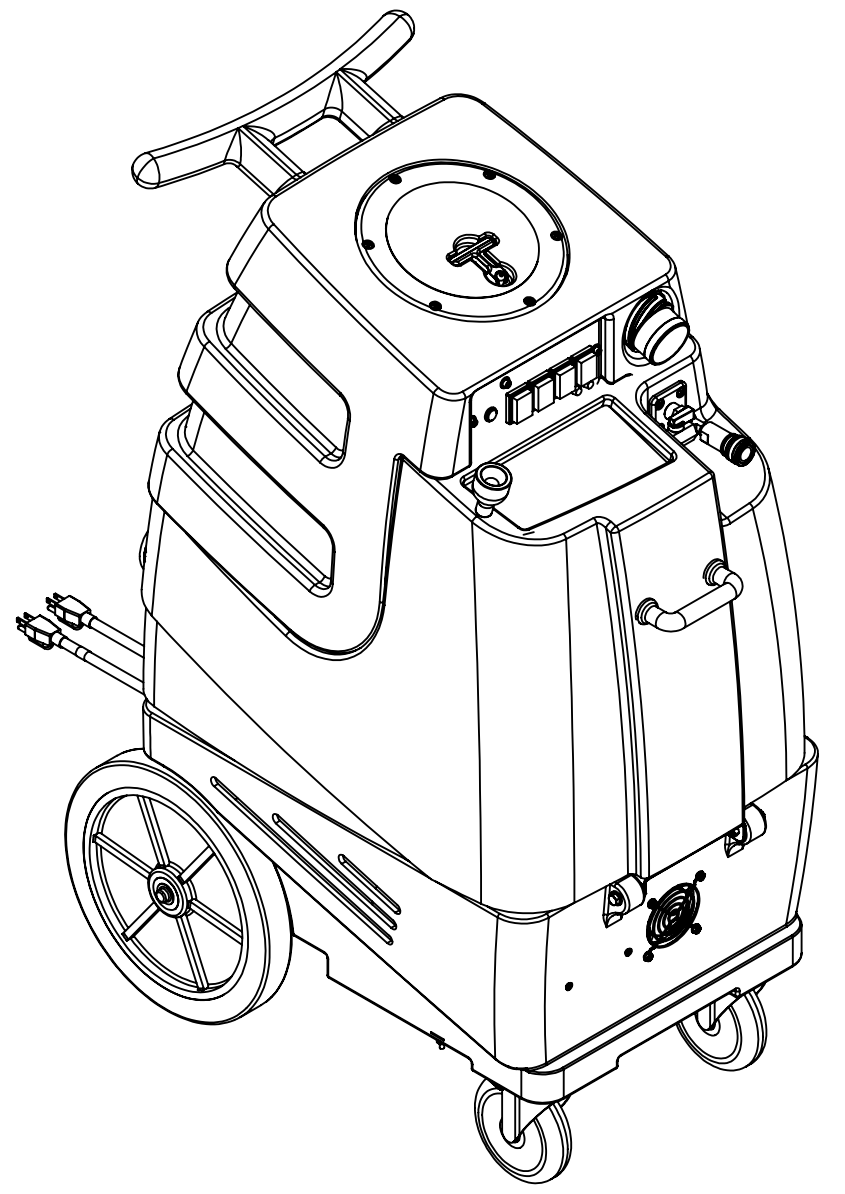


ITEM NO.	PART NO.	DESCRIPTION	QTY.	MSRP
1	C317	fan, cooling, 115V	1	\$21.49 ea
2	H343	screw, #10 x 5/8" hex head, zinc	12	\$0.99 ea
3	H296	guard, cooling fan, wire	3	\$2.99 ea
4	H186	screw, 10-32 x 3/4, phil flat full thread	2	\$0.99 ea
5	E370	controller, water level, dual pump or vac	1	\$94.99 ea
6	H273	nut, kep, #10-32 zinc	10	\$0.99 ea
7	H216	nut, lock, 1/4-20, nylon insert, s/s	10	\$0.99 ea
8	H210	washer, 1/4" flat, s/s	22	\$0.99 ea
9	H342	bolt, 1/4-20 x 1" hex head, s/s	8	\$0.99 ea
10	H666	caster, 5", Black hub & gray tread	2	\$23.19 ea
11	P731	base, speedster	1	\$141.99 ea
12	H371	axle, 18.03" x .50" dia	1	\$9.99 ea
13	H254	washer, axle, cut 1/2" id	4	\$0.99 ea
14	H251	wheel, 12"	2	\$41.99 ea
15	H219	cap, axle, 1/2"	2	\$0.99 ea
16	AH105	hose, pulse, 3/8" x 17-1/2", (OAL), f	1	\$31.99 ea
17	AH156	hose, 3/8", (OAL), f x fs, 5400 gray	1	\$23.99 ea
18	B103	elbow, brass, 90 deg, 1/4"mpt x 1/4" fpt	2	\$4.49 ea
19	H256	screw, 10-32 x 3/4" phil pan head, zinc	6	\$0.99 ea
20	H528	bracket, heater mounting, dual	1	\$29.99 ea
21	E519	heating rod, 1000W, 115V	2	\$51.99 ea
22	B142	coupling, brass, 1/4" fpt x 1/4" fpt	2	\$4.49 ea
23	B108	valve, brass, 1/4" check	1	\$13.99 ea
24	H274	screw, 6 x 3/16, phil pan head, self-tapping	10	\$0.99 ea
25	H903A	heater, aluminum cast, single	2	\$78.99 ea
26	E573	Thermostat, 200°, Auto, 1/4"	2	\$16.49 ea
27	E574	Thermostat, 310°F ± 10°F, Manual, 1/4"	2	\$17.99 ea
28	AH120	sol hose, 28" x 1/4", 1/4 fpt	2	\$35.49 ea
29	H221	nut, lock, 1/2" steel	2	\$1.99 ea
30	H220	fitting, strain relief, cord	2	\$3.19 ea
31	E550	power cord, pigtail, 30", 12/3, black	2	\$11.49 ea
32	PH615-26	sol hose, 1/2" kuri 100psi	1	\$8.99/ft
33	B160	adapter, brass, 1/2" barb x 3/8" fsw, ball end	1	\$3.49 ea
34	B186	elbow, brass, 90 deg, 3/8"mpt x 3/8" fmpt	1	\$8.99 ea
35	B136	elbow, brass, 90 deg, 1/4" mpt x 1/4" mpt	1	\$4.99 ea
36	B105	bushing, brass, 3/8"mpt x 1/4"	1	\$3.19 ea
37	H299	washer, 11/16" id x 1-1/2" od x .075, s/s	4	\$0.99 ea
38	H222	screw, 10-32 x 1-1/4" phil pan head, s/s	4	\$0.99 ea
39	C322D	pump, 220psi, diaphragm, 115V	1	\$208.99 ea
40	B172	elbow, brass, 90 deg, 1/2" barb x 3/8"mpt	1	\$9.49 ea
41	B173	ferrule, 1/2", brass	2	\$0.99 ea
42	H912	bracket, rear, fb/spy	1	\$9.99 ea
43	H770	bolt, 1/4-20 x 1/2" serrated hex flange, zinc	8	\$0.99 ea
44	H307	washer, star, 1/4" steel zinc	2	\$0.99 ea
45	G052	washer, buna 1-1/8" od x 3/16" id	6	\$1.99 ea
46	H211	washer, 1/4" id x 1" od, flat, s/s	6	\$0.99 ea
47	H203	bolt, 1/4-20 x 1-1/4"	2	\$0.99 ea
48	H124	Cuff-Lynx, 2" mpt x 2" female cuff	2	\$3.99 ea
49	H194	coupler, 2" dia x 2.5" length, s/s	2	\$10.00 ea
50	H217	clamp, hose, 2-1/4 dia	4	\$1.49 ea
51	PH628-15	vac hose, 2", wire reinforced	2	\$8.99/ft
52	H213	washer, 1/4" lock, s/s	10	\$0.99 ea
53	H215	nut, hex, 1/4-20 s/s	2	\$0.99 ea
54	G018	cover, sol tank (sp)	1	\$12.99 ea
55	PH612-36	clear tubing, 1/2" OD x 3/8" ID, faucet fill	1	\$1.99/ft
56	H178	faucet fill	1	\$10.99 ea
57	P732	sol tank, speedster	1	\$141.99 ea
58	H768	bolt, 1/4-20 x 3/4" serrated hex flange, zinc	2	\$0.99 ea
59	B107	nipple, brass, 1/4"m, hex	3	\$3.19 ea
60	H484	plate, mounting, QD	1	\$4.99 ea
61	B135	tee, brass, 1/4" mpt	1	\$5.49 ea
62	B102	qd, brass, 1/4" f x 1/4" fpt	1	\$17.99 ea

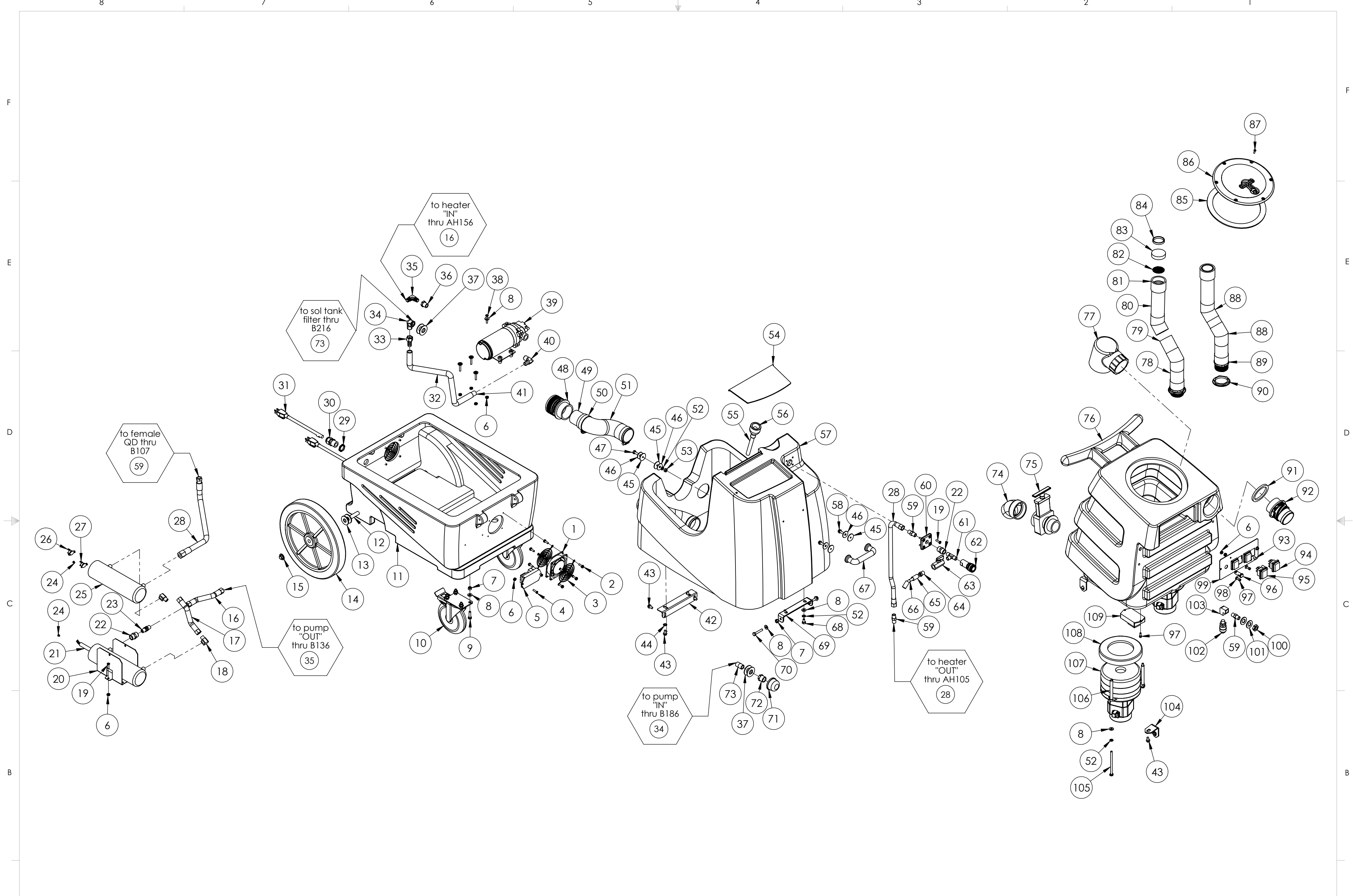
ITEM NO.	PART NO.	DESCRIPTION	QTY.	MSRP
63	B656	ball valve, 1/4"	1	\$13.49 ea
64	B109	adapter, brass, 1/4" barb x 1/4" mpt	1	\$1.99 ea
65	B170	ferrule, 1/4" brass	2	\$0.99 ea
66	PH634-20	sol hose, 1/4", silicone braided, clear	1	\$6.49 ft
67	H485	handle, breeze and dx	1	\$6.99 ea
68	H201	bolt, 1/4-20 x 1/2", hex head, zinc	2	\$0.99 ea
69	H378	bracket, front hinge, sp/fb	1	\$8.99 ea
70	H316	bolt, 1/4x1-1/2", hex head zinc	2	\$0.99 ea
71	B119A	filter, strainer, 1/2"	1	\$6.49 ea
72	B210	bushing, brass, 1/2"mpt x 3/8" fpt, hex	1	\$2.49 ea
73	B216	nipple, brass, 3/8" x close	1	\$1.99 ea
74	H226	spout, drain, 45 degree	1	\$3.19 ea
75	H225	valve, drain, 1-1/2"	1	\$20.99 ea
76	P733	vac tank, speedster	1	\$190.99 ea
77	A926	elbow, inlet assembly 2"	1	\$15.99 ea
78	PH633-4	pipe, pvc, 1-1/2"	2	\$4.99/ft
79	PH633-03	pipe, pvc, 1-1/2"	2	\$4.99/ft
80	PH633-06	PIPE, 1-1/2" x 6" PVC	2	\$4.99 ft
81	P502	adapter, 1.5" pvc, fslip x fslip	2	\$5.00 ea
82	G097	screen, mesh filter, 1-1/2" dia	2	\$4.99 ea
83	G003	filter, foam, 2" x .50" o.d.	2	\$1.99 ea
84	PH633-1	pipe, pvc, 1-1/2"	2	\$4.99 ft
85	G091	gasket, 7", vac lid	1	\$11.99 ea
86	G090	lid, vac tank, clear, 7"	1	\$36.99 ea
87	H304	screw, #8 x 5/8 phil oval, s/s	6	\$0.99 ea
88	P503	adapter, 1.5" pvc, 45 deg, fslip x fslip	4	\$3.29 ea
89	P520	adapter, pvc, 1-1/2" mpt x 1-1/2" fms	2	\$2.99 ea
90	H314	nut, lock, 1-1/2", steel	2	\$1.99 ea
91	G083	gasket, 2" inlet	1	\$2.49 ea
92	H135	Cuff-Lynx, 2" m cuff x 2" mpt	1	\$3.99 ea
93	E511	light, red, 250v	2	\$5.99 ea
94	E516	switch, rocker, 3 position	1	\$14.99 ea
95	E515	switch, rocker, 2 position	3	\$13.99 ea
96	E512B	light, indicator, 125v (amber)	1	\$9.99 ea
97	H389	screw, 10-32 x 1/2" SHCS, alloy	4	\$0.99 ea
98	H612	Washer, #8, flat regular	3	\$0.99 ea
99	H348	plate, switch, 1000DX-200	1	\$6.99 ea
100	B156	nut, 1/4" npt	1	\$1.99 ea
101	H212	flat washer, 9/16"ID x 1 1/16"OD	2	\$0.99 ea
102	E373	level switch, vacuum shut-off, rear threads	1	\$13.99 ea
103	B207	elbow, brass, 90 deg, 1/4" fpt x 1/4" fpt	1	\$5.99 ea
104	H390A	bracket, "L"	2	\$6.99 ea
105	H096	bolt, hex, 1/4-20 x 4", zinc Finish	6	\$0.99 ea
106	H503	vac support, 3 stage, 3.25", no thrds	6	\$3.99 ea
107	C302LA	vac motor, 3 stage, low amp	2	\$139.99 ea
108	G004	gasket, vacuum motor	2	\$8.99 ea
109	E564	controller, circuit light	1	\$62.99 ea

**ITEMS NOT SHOWN**

PART NO.	DESCRIPTION	QTY	MSRP
G008	piglet filter	1	\$6.29 pak
H375	hanger, wire formed, hose	1	\$10.99 ea
H230	screw, 10-32 x 1/2" phil pan head, s/s	2	\$0.99 ea
H141	Cuff-Lynx, 2" x 1.5" reducer	1	\$3.99 ea
H110	Cuff-Lynx, 2" hose x 2" fem swivel Cuff-Lynx	1	\$3.99 ea
E530	power cord, ext 50', 12/3 black	2	\$74.99 ea



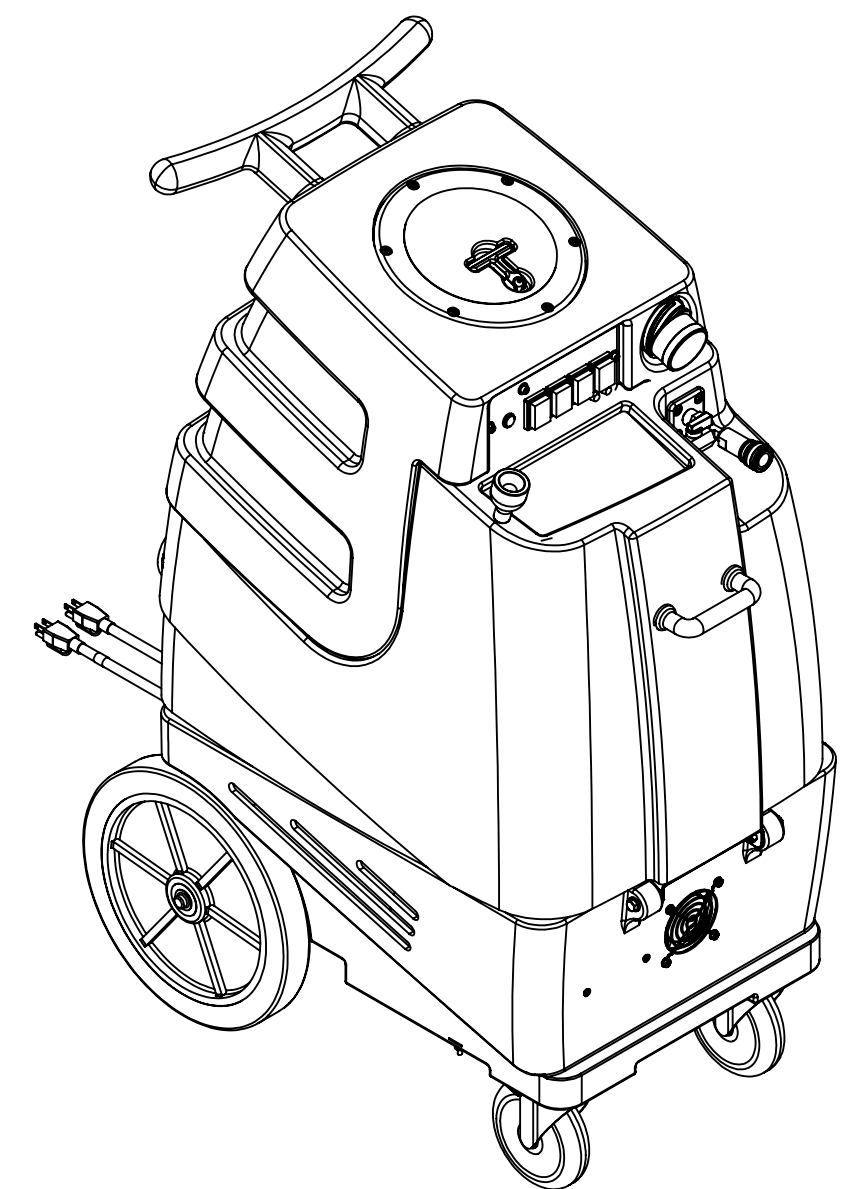
NAME	DATE	<b>MYTEE PRODUCTS, INC.</b> <small>858-679-1191</small>
DRAWN M. LaBarbera	10/2013	
CHECKED		
<small>PROPRIETARY AND CONFIDENTIAL</small> <small>THE INFORMATION CONTAINED IN THIS DRAWING IS THE SOLE PROPERTY OF MYTEE PRODUCTS, INC. ANY REPRODUCTION IN PART OR AS A WHOLE WITHOUT THE WRITTEN PERMISSION OF MYTEE PRODUCTS, INC. IS PROHIBITED.</small>		TITLE: <h1>speedster</h1>
SIZE	DWG. NO.	REV
<b>C</b>	<b>1001DX-200</b>	<b>D</b>
SCALE: 1:48	DO NOT SCALE DRAWING	SHEET 1 OF 3



	NAME	DATE	<b>MYTEE PRODUCTS, INC.</b> 858-679-1191	
DRAWN	M.LaBarbera	10/2013	TITLE:	
CHECKED			<b>speedster</b>	
<small>PROPRIETARY AND CONFIDENTIAL</small> <small>THE INFORMATION CONTAINED IN THIS DRAWING IS THE SOLE PROPERTY OF MYTEE PRODUCTS, INC. ANY REPRODUCTION IN PART OR AS A WHOLE WITHOUT THE WRITTEN PERMISSION OF MYTEE PRODUCTS, INC. IS PROHIBITED.</small>			SIZE DWG. NO. <b>C 1001DX-200</b>	REV <b>D</b>
			SCALE: 1:48	DO NOT SCALE DRAWING SHEET 2 OF 3

**REVISIONS**

REV.	DESCRIPTION	DATE	APPROVED
OD	ORIGINAL DRAFT	-	JFL
A	REPLACED G003 W G022	8/2013	JFL
B	REPLACED H033 W H342, ADDED H210 & H216	10/8/2013	JFL
C	G021 REPLACED W G097	10/22/2013	JFL
D	REPLACED G022 W G003	7/29/2014	ML



	NAME	DATE	<b>MYTEE PRODUCTS, INC.</b>	
DRAWN	M. LaBarbera	10/2013	858-679-1191	
CHECKED			TITLE:	
<p><b>PROPRIETARY AND CONFIDENTIAL</b></p> <p>THE INFORMATION CONTAINED IN THIS DRAWING IS THE SOLE PROPERTY OF MYTEE PRODUCTS, INC. ANY REPRODUCTION IN PART OR AS A WHOLE WITHOUT THE WRITTEN PERMISSION OF MYTEE PRODUCTS, INC. IS PROHIBITED.</p>			<p>size DWG. NO. REV</p> <p><b>C</b> 1001DX-200 <b>D</b></p>	
			SCALE: 1:48	DO NOT SCALE DRAWING